



10th Asia Clean Energy Forum 2015



**Mohammad Alauddin
Joint Secretary
Power Division**

**Ministry of Power, Energy & Mineral Resources
Government of the People's Republic of Bangladesh**

16 June 2015

Outline



Bangladesh Power Sector : An Overview

Renewable Energy

Energy Efficiency

Energy Access

SHS Program

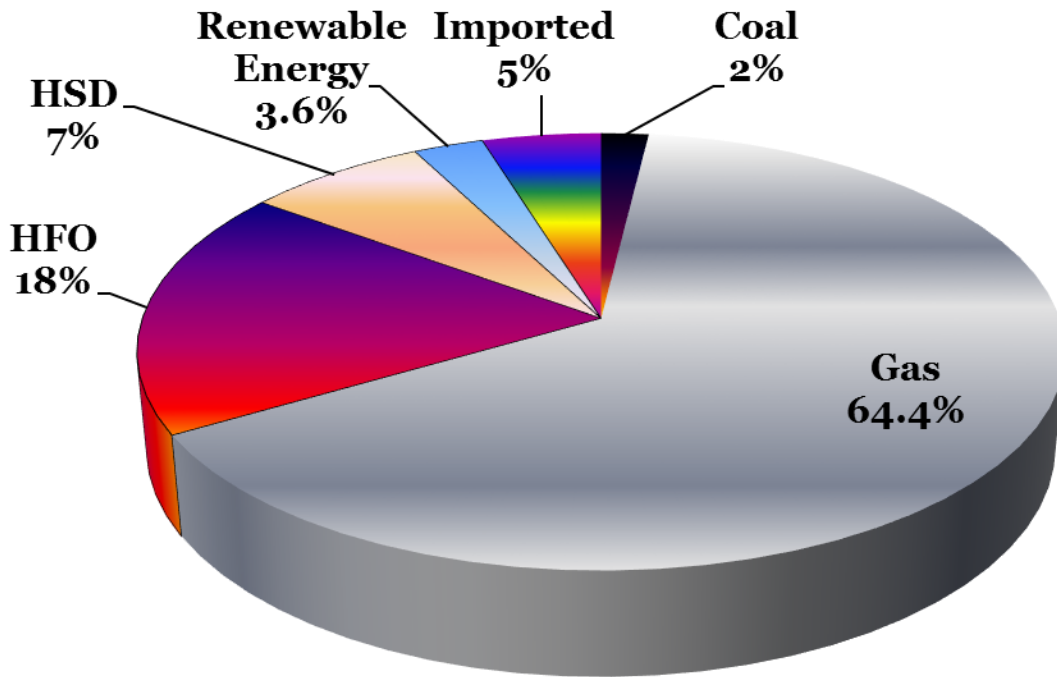
Bangladesh Power Sector: Overview



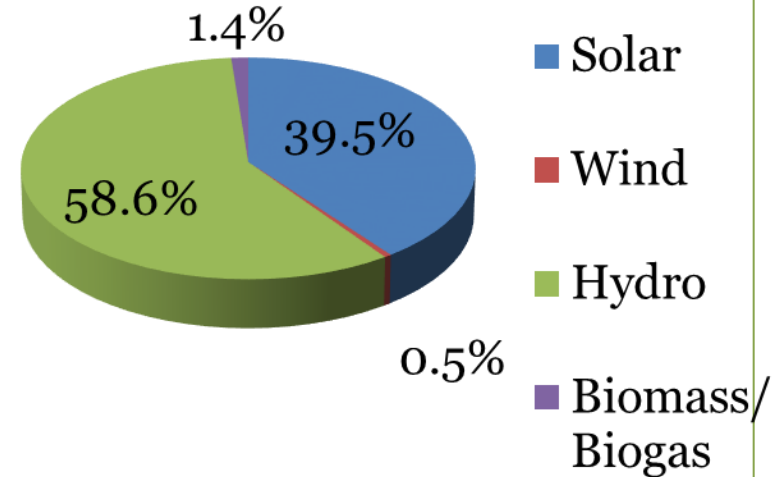
| SL# | Item | |
|-----|--------------------------------|-------------------|
| 1. | Installed Capacity [MW] | 11265 |
| 2. | Maximum Generation [MW] | 7817(31 May 2015) |
| 3. | Transmission Line [Circuit Km] | 9555 |
| 4. | Distribution Line [Km] | 335,000 |
| 5. | Consumer [Million] | 17.0 |
| 6. | Per Capita Generation [kWh] | 371 |

Source : Bangladesh Power Development Board

Fuel Mix of Power Generation



Electricity Generation by Fuel Type



RE Share

Renewable Energy: Target



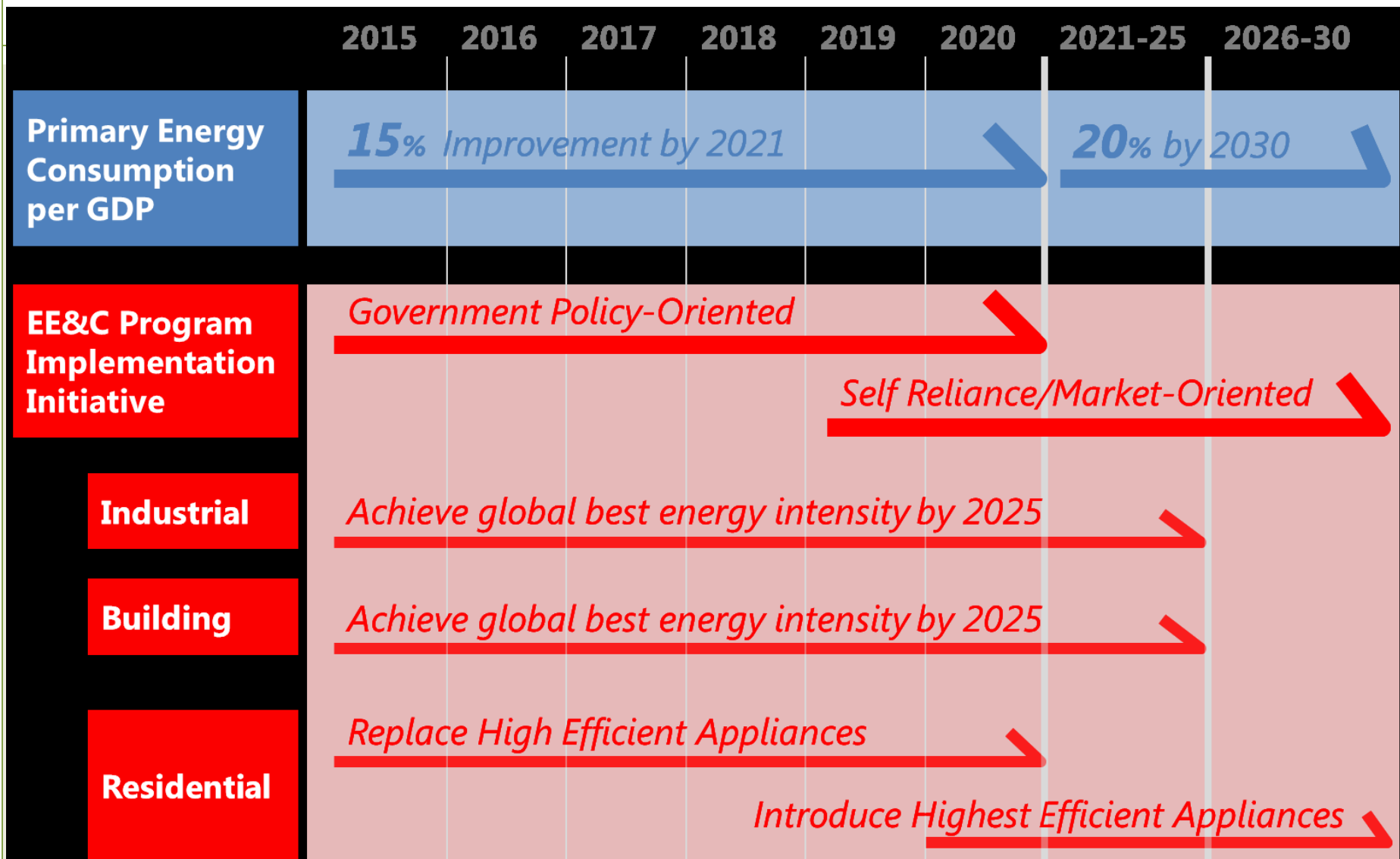
Renewable Energy Policy of Bangladesh 2008

5% (800MW) of total power from RE by 2015

10% (2000MW) of total power from RE by 2020

“500 MW Solar Program up to 2016” & “Wind Resource Mapping” Program facilitate reaching goal

Energy Efficiency Target



Access to Electricity

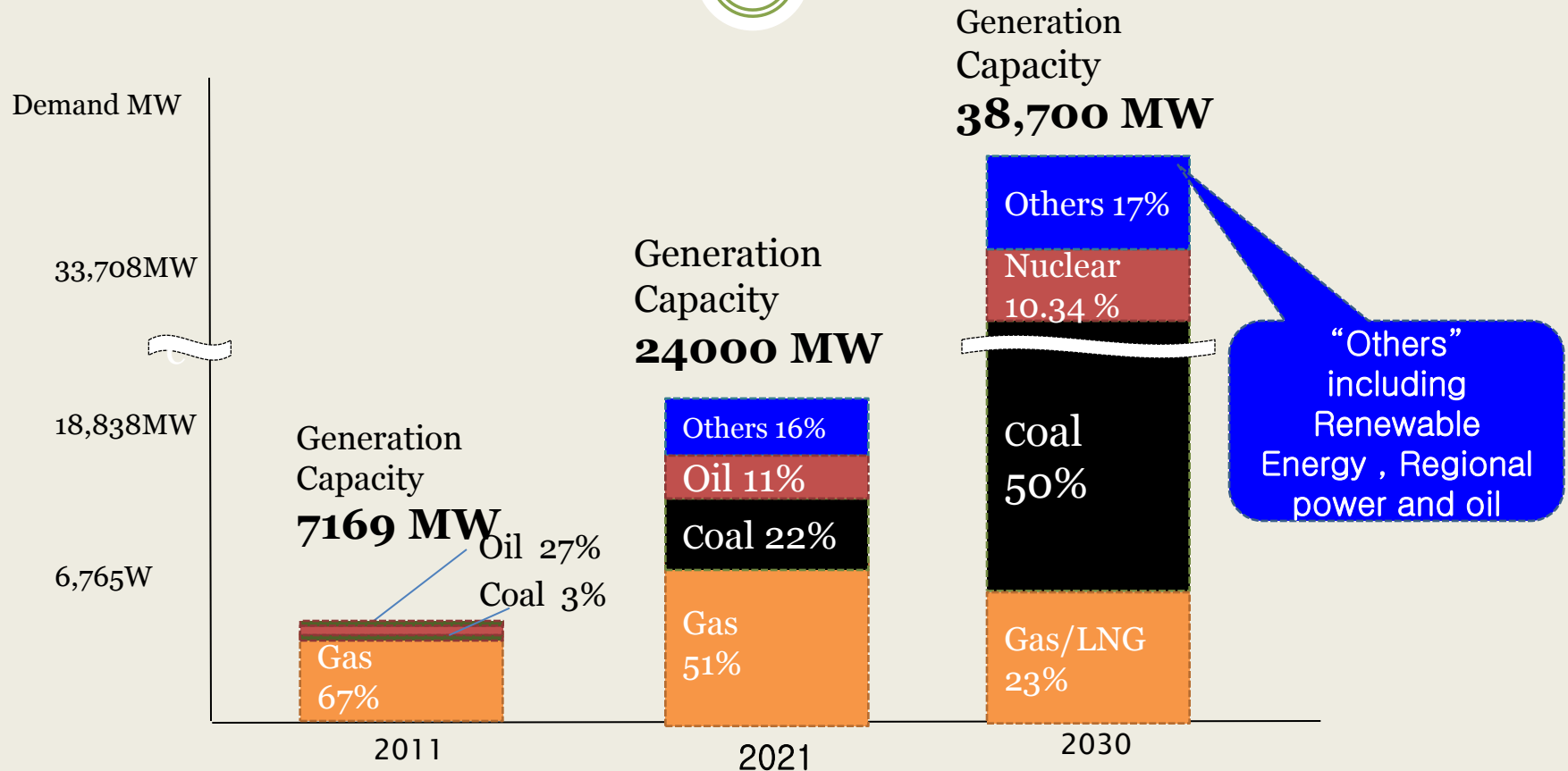


Access to Electricity is 70% including 10% RE
Envision to provide access to affordable and reliable
electricity to all by 2021.

Access to electricity enhancement through **BREB** in
rural area & **IDCOL** in off-grid area.

SREDA is promoting

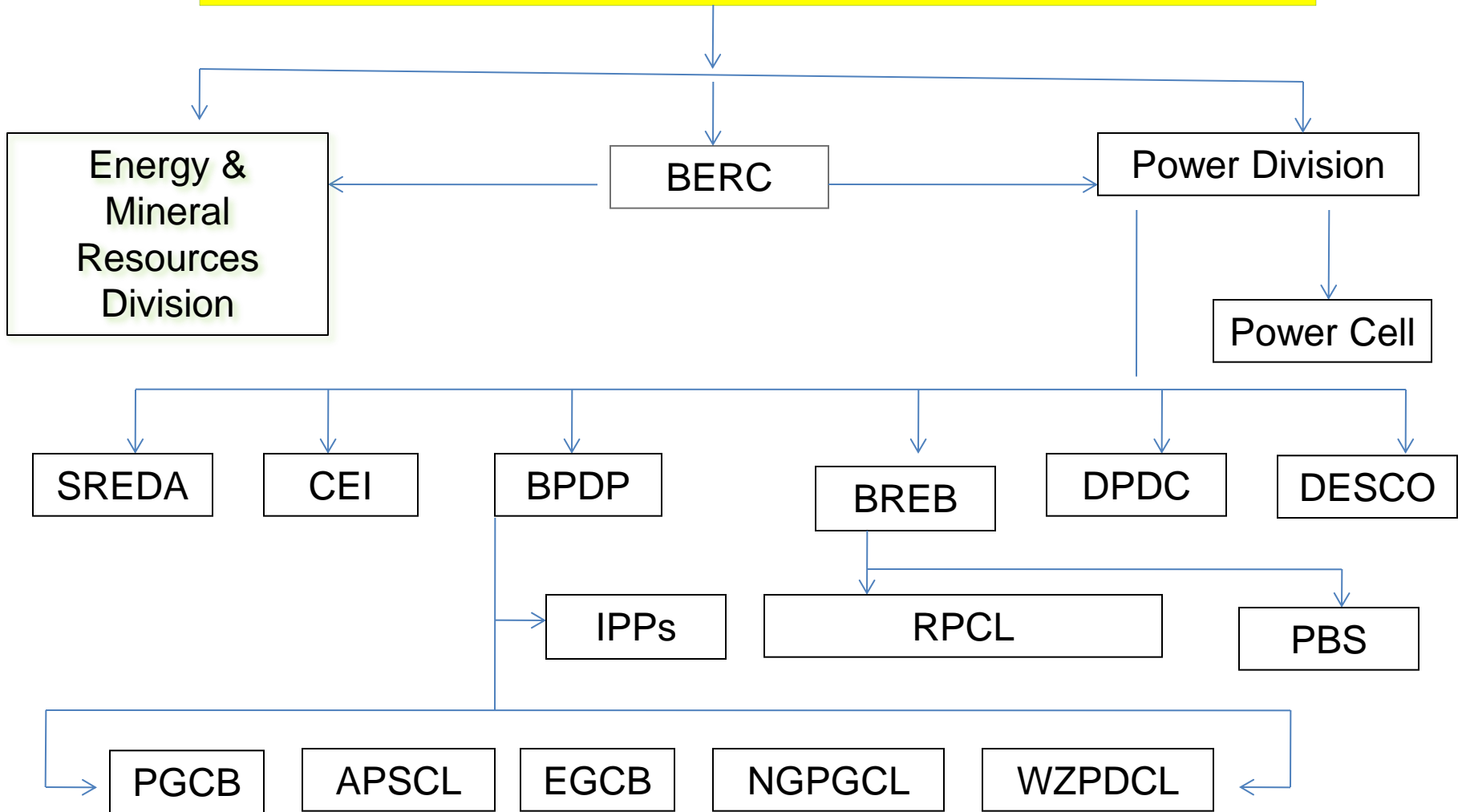
Demand & Generation Capacity Forecast



Source : Power System Master Plan [PSMP] 2010

Power Sector: Management Structure

Ministry of Power, Energy and Mineral Resources



Renewable Energy: Achievement



| Category | Achievement |
|--------------|---------------|
| Solar | 165 MW |
| Wind | 02 MW |
| Bio-mass | 01 MW |
| Biogas | 01 MW |
| Others | 07MW |
| Hydro | 230MW |
| Total | 404 MW |

Renewable Energy: Incentives



- Exemption from corporate income tax for 15 years.
- Plants & equipment [full value] & spare parts [10% of original plant cost] without payment of customs duties , VAT & any other surcharges.
- Tax exemption & repatriation facilities on royalties, technical know-how & technical assistance fees.

Renewable Energy: Incentives



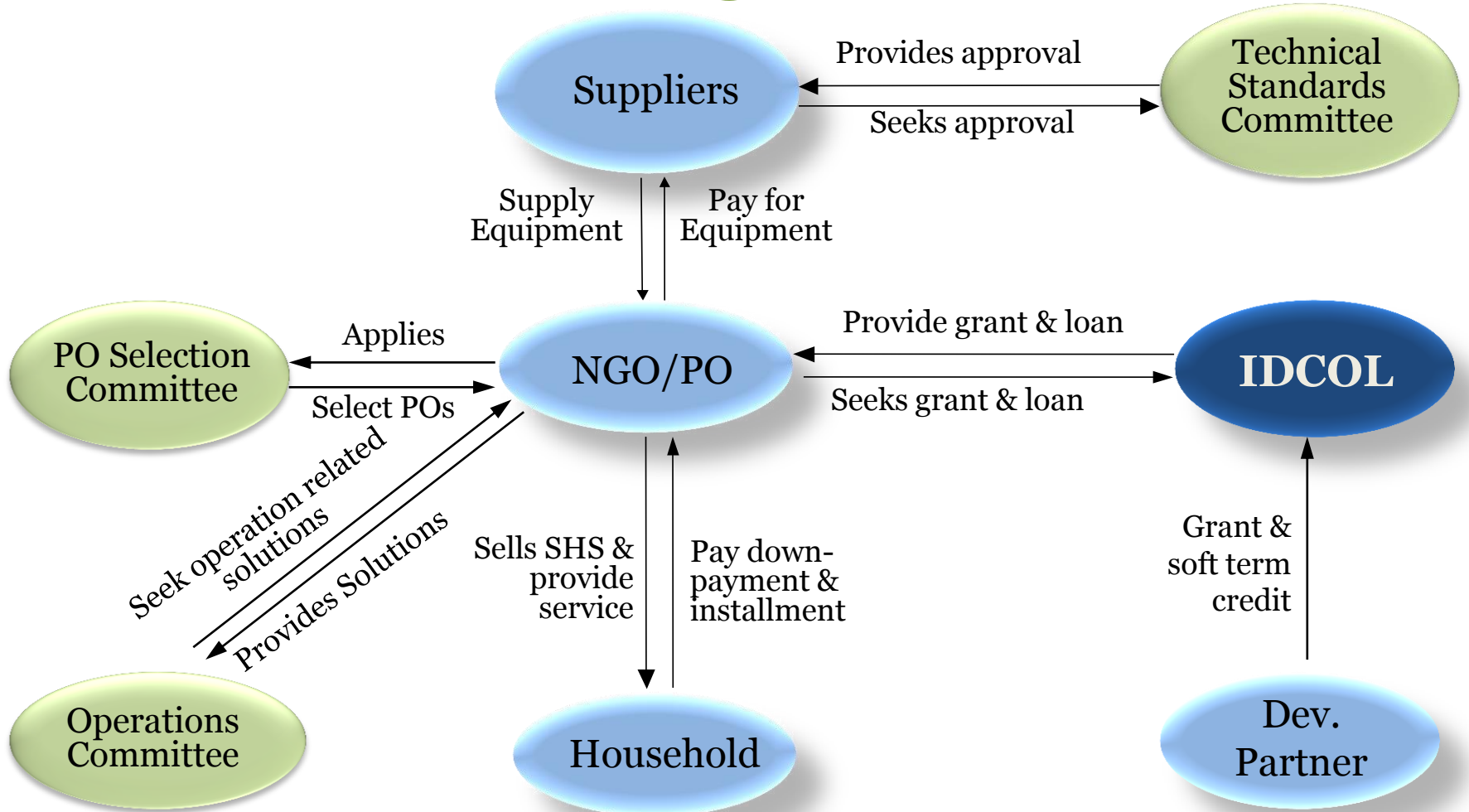
- Repatriation of equity along with dividends.
- Avoidance of double-taxation on the basis of bilateral agreements.
- Implementation Agreement [IA] & PPA ensure fair and reasonable risk allocation and payment by the purchaser is guaranteed by the GoB.

Renewable Energy: Incentives



- The BoI provides one stop service.
- RE projects[5MW] don't need license from BERC.
- Framing of FiT regulation by BERC is underway.
- Incentive tariff for RE projects.
- Duty exemption for 16 items of solar panel [SRO No. [100-Law/2000/1832/Duty](#), Date-18/04/ [2000](#)]
- Special Act for processing good project proposals.

IDCOL's SHS Program



Fund Flow & Role of Partners

Loan & Grant



Loan & Grant



Loan & Grant



Loan & Grant

Multilateral Agencies

- Provides grant and soft loans
- Provides technical assistance needed

GoB

- Provides grant and soft loan to IDCOL
- Provides policy support

IDCOL

- Provides grants to reduce SHS cost and for capacity building
- Provides soft loans
- Provides training, promo support
- Monitors implementation

PO

- Identify potential customers
- Installs SHS
- Extends micro-credit
- Provides after sales services

Household

- Maintain system
- Repay loan in monthly installments

Debt Service



Debt Service



Debt Service



Debt Service



IDCOL's SHS Program



- Program Target : 6 million SHS by 2018
- Program Achievement : 3.64 million SHS by April 2015
- Number of Beneficiaries : 16.4 million people (10% population)
- Power Generation : 142 MW
- Fossil Fuel Saving : 200,000 ton/year
- Job Creation : 70,000 people
- IDCOL Investment : About USD 600 million



***Thank you
I am now open
to
Questions***